

LW440FN Wheel Loader



主要参数 MAIN SPECIFICATIONS

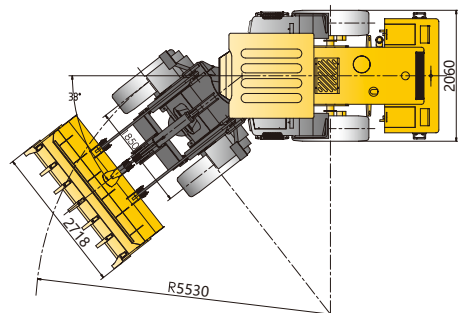
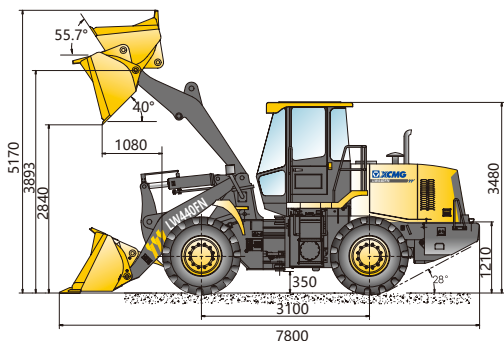
项目Items	参数Specification	单位Unit	
额定斗容量 Bucket capacity	2.4	m ³	
额定载重量 Rated operating load	4000	kg	
整机工作质量 Machine weight	14000±200	kg	
卸载高度 Dumping clearance	2840	mm	
卸载距离 Reach at maximum lift	1080	mm	
轴距 Wheel base	3100	mm	
轮距 Wheel tread	2060	mm	
整机长度 Overall length	7800	mm	
整机高度 Overall height	3480	mm	
铲斗宽度 Bucket width	2718	mm	
最小离地间隙 Minimum ground clearance	390	mm	
转向角 Steering angle	38	°	
离去角 Maximum grade ability	28	°	
下挖深度 Digging depth	89	mm	
最大掘起力 Max.breakout force	150	kN	
最大牵引力 Max.traction force	125±5	kN	
最小转弯半径 Min.Turning radius over tyres	5530	mm	
动臂提升时间 Hydraulic cycle time rise	5.4	s	
三项和时间 Total hydraulic cycle time	9.4	s	
发动机 Engine	型号 Model	WP6G175E22	
	额定功率 Rated engine power	129	kW
	额定转速 Rated speed	2200	r/min
轮胎型号 Tire model	20.5-25-16PR		
行驶速度 Traveling speed	前进/后退一档 Forward/Reverse I	12/16	km/h
	前进二档 Forward II	38	km/h

随技术进步，样本内容、产品结构、配置参数等将不断改进，恕不另行通知。样本信息与实物存在差异的，以实物为准。

No further information of sample contents, product structure and configuration parameters updates.

There maybe some difference between sample books and material objects.Please kind prevail.

Overall dimensions



National Service Hotline: **400-110-9999**

Address: 99 Kunpeng Bei Road, Xuzhou Economic Development Zone, Jiangsu, China

Postal Code: 221004

Tel: 0516 87938888

E-mail: sales@xcmg.com

Website: <http://www.xcmg.com>



[The surprise swept away]